

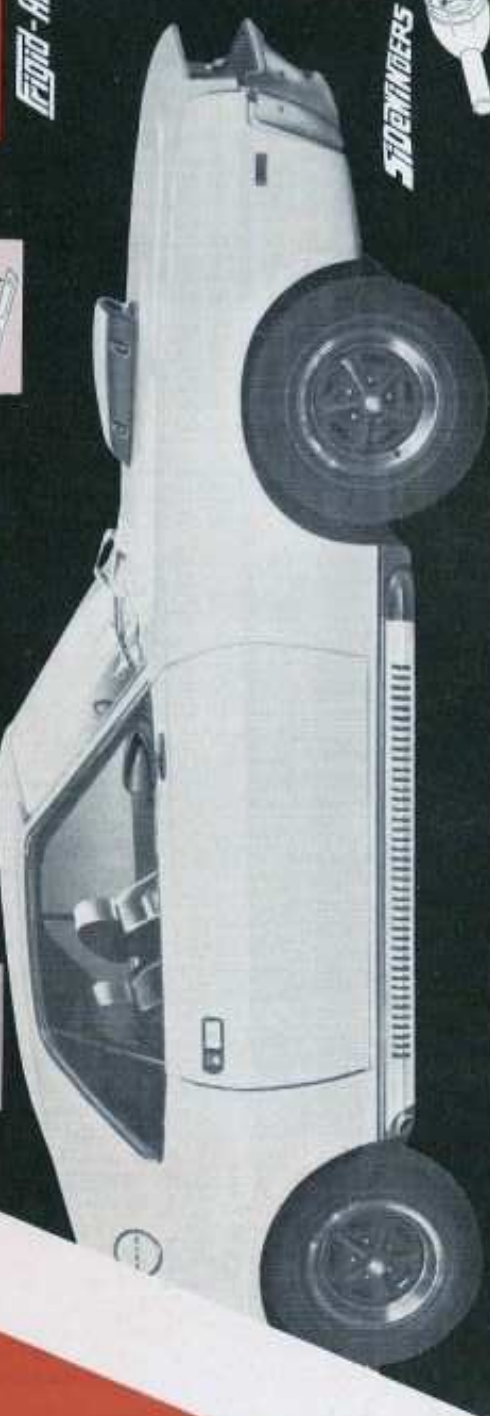
TREND SETTER PRODUCTS



TREND SETTER RACING MIRROR



FRIGID-AIR



SIDEWINDERS



TREND SETTER RACING MIRROR... the first super light plastic bodied racing mirror that weighs less than 1/4 of a pound total weight allows us to use the latest aircraft-type adhesive strip for installation. A rich distinctive appearance that has become synonymous with the latest motor oily muscle cars. The Trend Setter Racing Mirror has two completely adjustable features allowing the mirror body to remain parallel to body sculpturing while allowing full adjustment of the mirror face. Finished in glossy black ABS plastic, the Trend Setter Racing Mirror can be easily painted to match any color. Improve your image with a Trend Setter product.

FRIGID-AIR... when you think of cold air induction systems think of Frigid-Air. Ram air is nothing new, but Frigid-Air is scientifically designed to deliver cold air directly to the carburetor resulting in a 9% horsepower increase. A total package designed to completely replace the stock air cleaner assembly and filter. Frigid-Air consists of an attractive mate finished, easily paintable ABS hood scoop that holds a large 10" x 10" washable foam filter into the unique stick-on retained plate. Underneath the hood a carefully engineered moisture trap finished in bright red high tensile Polycarbonate with large swelling packet guaranteeing cold air directly to the carburetor. Moisture trap adjusts on all entrance velocities giving variable length from carburetor to hood assuring absolute universal application. Like all Trend Setter products we offer you a complete package for built on performance.

SIDEWINDERS... the side exhaust system with a truly unique look and sound. For 1970, the exciting new sound of the Turbo Swirl Mufflers offering even greater weight reduction and power increase. The features of the Turbo Swirl Muffler include a unique spiral core, a full 30" of muffler body and a lower legal decibel rating. Sidewinders is a totally engineered package designed to completely eliminate the stock exhaust system. The package includes custom-bent head pipe, new Turbo Swirl Mufflers, aluminum body moldings, bright dipped, anodized, slotted aluminum muffler covers, and ABS plastic front trim caps. All necessary hardware and a highly detailed instruction sheet made for truly built-on application. Sidewinders look great and sound even better.

For more information on the exciting line of Trend Setter products and Sidewinders details, call 1-800-368-1100.

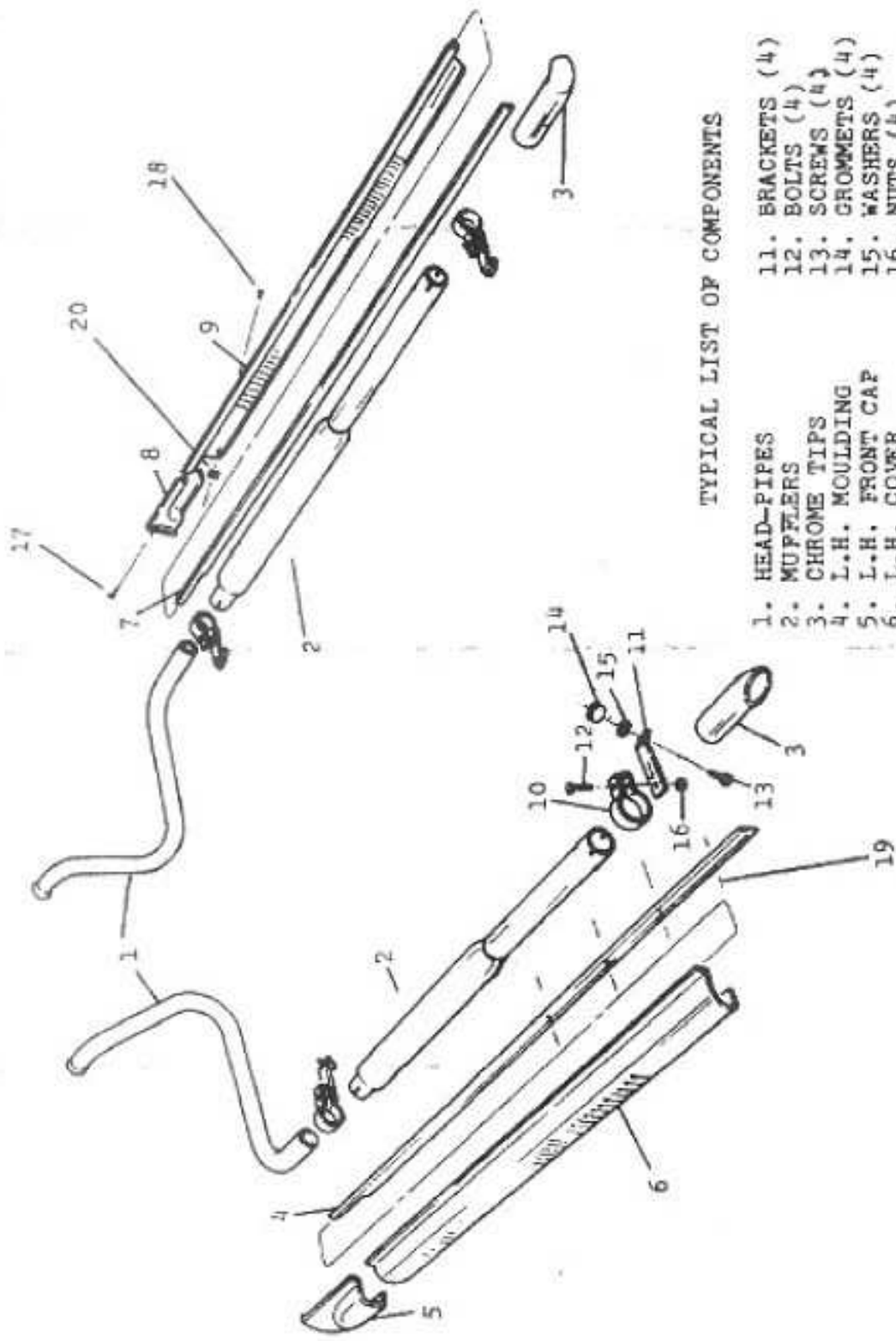
TREND SETTER PRODUCTS

12171 Grand River

Detroit

Michigan 48204

Sidewinders



TYPICAL LIST OF COMPONENTS

- | | |
|-------------------|-----------------------|
| 1. HEAD-PIPES | 11. BRACKETS (4) |
| 2. MUFFLERS | 12. BOLTS (4) |
| 3. CHROME TIPS | 13. SCREWS (4) |
| 4. L.H. Moulding | 14. GROMMETS (4) |
| 5. L.H. FRONT CAP | 15. WASHERS (4) |
| 6. L.H. COVER | 16. NUTS (4) |
| 7. R.H. Moulding | 17. CAP SCREWS (2) |
| 8. R.H. FRONT CAP | 18. COVER SCREWS (2) |
| 9. R.H. COVER | 19. MLDG. SCREWS (20) |
| 10. CLAMPS (4) | 20. SPEED NUTS (2) |

